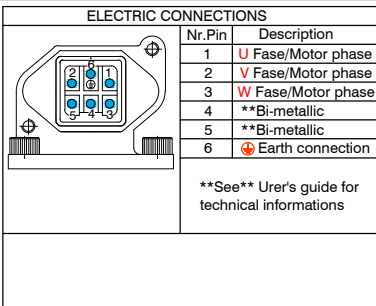


Voltage	V±10%	380
Output Power	kW	6
Current	A	12.6
Frequency	Hz	300
rpm	rpm	18000
Torque	Nm	3.18
Front Bearing		ceramici
Vost. Bearing		radiale
Efficiency	$\eta$	0.80
Power factor	$\cos\phi$	0.82
Poles		2
Service type		S1
Insulation classoltage		F
Cooling		Aria forzata
Weight	kg	13.5
Type of Protection	IP	54



SRV95.140-18/6.00TMP

Mark	Change Description	Date:	Name
Design: R.ZHUANG	Date: 28/05/2011	Scale:	
Check: J.F.WU	Date: 28/05/2011	Size: A4	
Approv:	Date:	Page: 1/1	

SRV95.140-ER25-380V-DX-18/300HZ-6.0KW/S1

Drawing Ver: A4  
Dimensions in mm