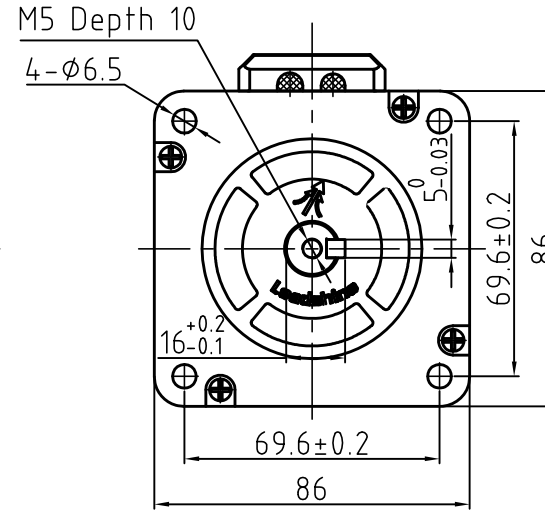
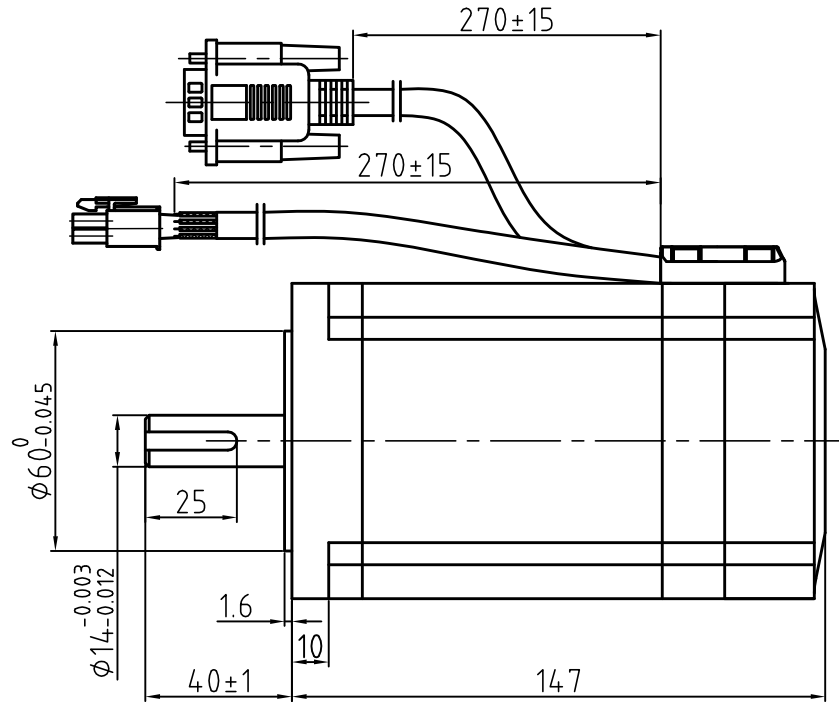
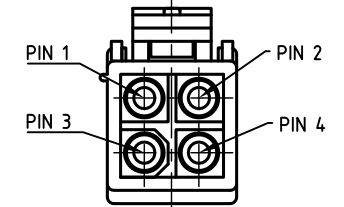


| 版本 Rev. | 日期 Date  | 变更文件号 ECN NO. | 变更内容 Revisions | 设计 By |
|---------|----------|---------------|----------------|-------|
| V1.0    | 17.05.18 |               | 带LOGO,新外观      | 王洪松   |
|         | 17.09.13 |               |                | Max   |

Dimension: (Unit: mm)



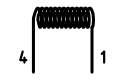
### Motor Connctions



A+ 黑 Black

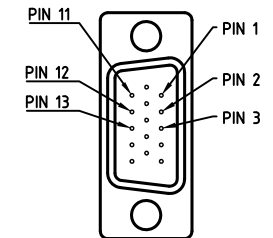


A- 红 Red



B+ 黄 Yellow B- 蓝 Blue

### Encoder Signals



### Common Rating

|                       |                       |
|-----------------------|-----------------------|
| Step angle            | 1.8°                  |
| Position accuracy     | 1.8±0.09°             |
| Dielectric strength   | 1000VAC 1min          |
| Insulation resistance | 100MΩm(500VDC)        |
| Insulation class      | B                     |
| Temp rise(Max)        | 80K                   |
| Radial play           | Max.0.02mm(Load 450g) |
| Axial play            | Max.0.08mm(Load 900g) |

### Specification

|                          |            |
|--------------------------|------------|
| Current/phase            | 6.0 A      |
| Voltage                  | 3.2 V      |
| DC Resistance/phase ±10% | 0.53 Ω     |
| Inductance/phase ±20%    | 4.25 mH    |
| Holding torque           | 8.5 N·M    |
| Inertia                  | 2.7 kg·cm² |
| Weight                   | 4.3 kg     |
| Encoder Resolution       | 1000 cpr   |

|        |     |     |     |     |     |     |
|--------|-----|-----|-----|-----|-----|-----|
| PIN    | 1   | 2   | 3   | 11  | 12  | 13  |
| Color  | BLK | RED | WHT | YEL | GRN | BLU |
| Define | A+  | VCC | GND | B+  | B-  | A-  |

|                |     |            |           |                                  |  |
|----------------|-----|------------|-----------|----------------------------------|--|
| 设计<br>Designed | 王洪松 | 日期<br>Date | 2017.5.18 | 材料<br>Material                   | 深圳市雷赛智能控制股份有限公司<br>SHENZHEN LEADSHINE TECHNOLOGY CO., LTD. |
| 审核<br>Checked  | 秦军  | 2017.5.18  |           | 第一角画法<br>First Angle projection  | 名称<br>Title  |
| 批准<br>Approved | 田天胜 | 2017.5.18  |           | 重量Weight 比例Scale 阶段标记 Stage Mark | CS-M23485  |
| 料号<br>Part No. |     |            |           | 共 1 页 第 1 页 Sheet 1 of 1         | 图号<br>DWG. NO.   |